

## Standard Dovetail Drawer Boxes

Standard box specifications are as follows:

### **WOOD SPECIES:**

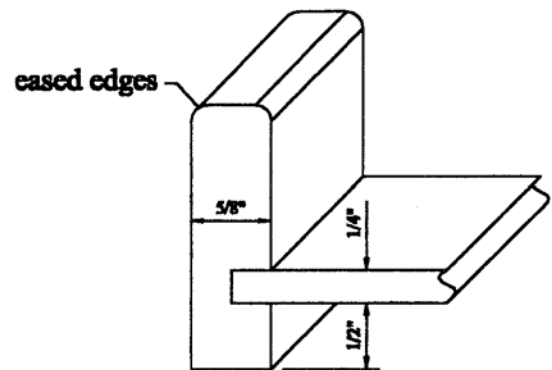
Sides- Natural Grade Soft Maple  
Bottoms- 1/4" white wood

### **SIDES:**

5/8" thick with eased top edges  
Heights: 2"-9" in even inch increments

### **BOTTOM INSET:**

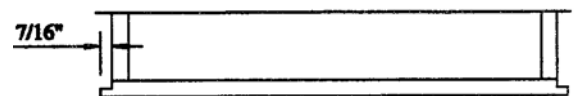
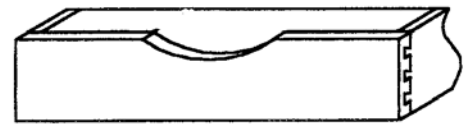
1/2" spacing under bottom panel



### **STANDARD OPTIONS:**

Standard options may be selected without affecting standard lead times.

- Scoop Front
- Side Tabs
- Drill and notching for undermount slides



### **PREFINISHING:**

Finishing is available. Add 5-6 days to standard lead times for finishing.