

fleetwoods standard drawer boxes can be made on standard schedule.

Standard box specifications are as follows:

WOOD SPECIES:

Sides - Natural Grade Soft Maple
Bottoms - 1/4" White Wood

SIDES:

5/8" thick with eased top edges
Heights: 2" - 15" in even inch increments
Custom heights are available for an upcharge

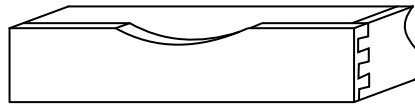
BOTTOM INSET:

1/2" spacing under bottom panel

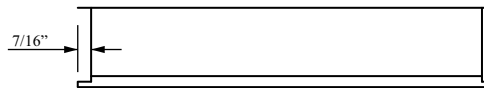
STANDARD OPTIONS:

Standard options may be selected without affecting standard lead times.

- Scoop Front



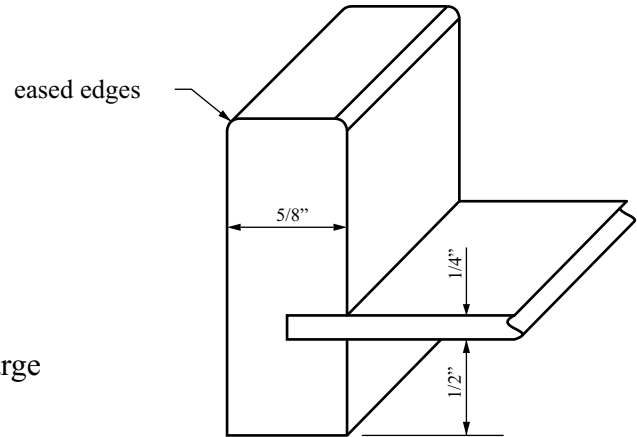
- Side Tabs



- Notch and drill for undermount slides

- Unassembled: drawer boxes can be ordered ready to assemble

- Finishing (see page 27)



STANDARD DOVETAIL DRAWER BOXES

Custom drawer boxes can be made to your exact specifications. Some options incur additional charges, and may require longer lead time.

Custom box options are as follows:

WOOD SPECIES:

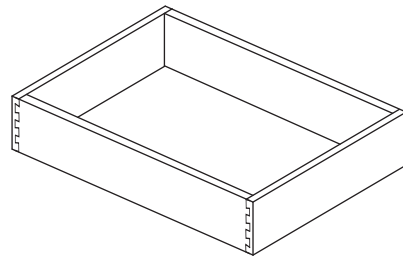
Sides: any species and grades

Bottoms: any species or melamine

SIDES:

Top edge eased

Any height in 1/16" increments



BOTTOM INSET:

Any dimension spacing available under bottom panel

Bottoms can also be made flush or mounted to the bottoms of the sides

THICKNESS:

Sides: 1/2", 5/8", 3/4" thickness

Bottoms: 1/4", 1/2", 5/8", 3/4" thickness

FRONT:

Custom scoop front dimensions

Custom side tab dimensions

Drawer Box Finishing

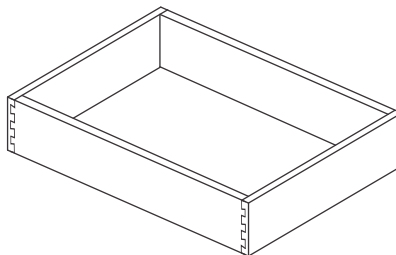
fleetwoods is pleased to provide its customers with a pre-finished drawer box option. We have partnered with a local finishing company to offer a premium service for our customers. The new finishing process will add 2 to 6 days to our standard lead times and will then be delivered in your regular method.

Available Options

- **STANDARD**
 - Vinyl Seal Coat
 - High Build, Clear, Satin, Lacquer Based Finished Coat
 - Underside of drawer box is not finished

- **OTHER OPTIONS**
 - Water based finish
 - Underside of box finished
 - Double coat finish

To order pre-finished Dovetail Drawer Boxes please mark “finish” checkbox in the options category at the top of your order form. If your order form does not have the finish checkbox, you have an outdated form, you can write “finishing” in the *other* category. Please get updated order forms on our website or request a new order form from your sales person.



LASER ENGRAVED LOGO OPTION

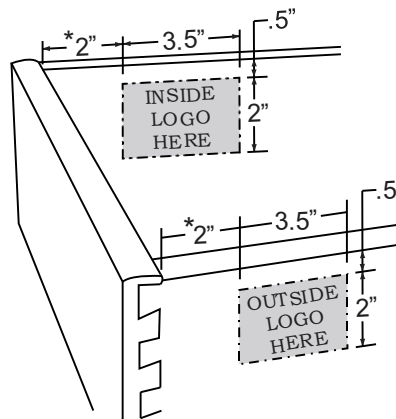
Engraving your logo gives a lasting impression - Customers will remember you

Engraved Logo Specifications:

STANDARD SIZE & LOCATION:

- Logo may be positioned on the inside left, outside right or both
- Located 2" from the front and 1/2" from the top (see illustration)
- Maximum logo size: 3.5" x 2.0"
- For drawer boxes under 4 inches in height the logo may be adjusted to fit area.

LOGO PLACEMENT OPTIONS:



* 2" dimension is measured from the inside front of drawer box

SUBMITTING LOGO FILES:

E-mail to: RCarlson@fleetwoods.net

(CUSTOM LOCATION AND SIZING AVAILABLE UPON REQUEST)